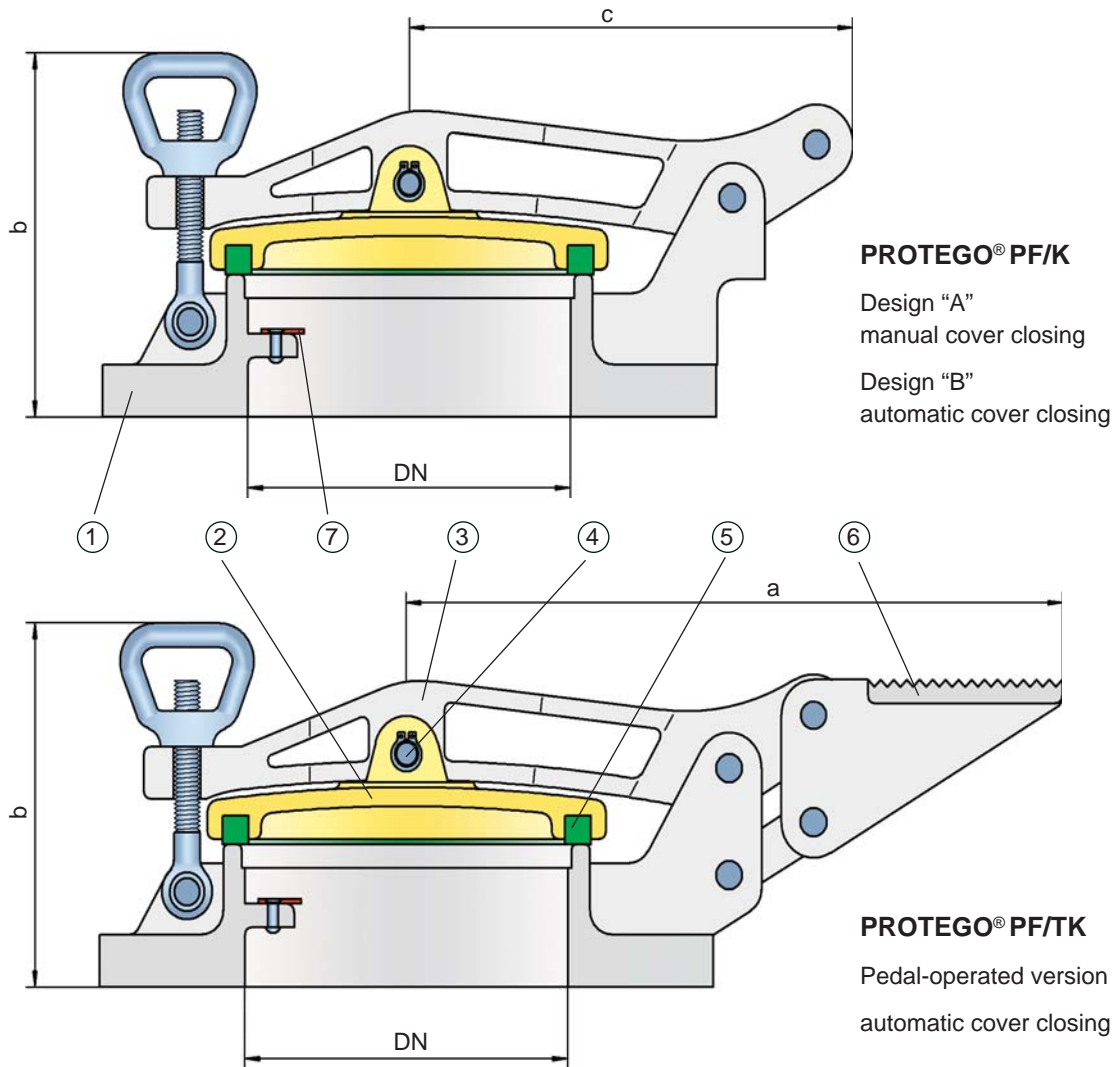




## Gauge Hatch

### PROTEGO® PF/K, PF/TK



### Function and Description

PROTEGO® gauge hatches types PF/K and PF/TK are used as lockable gauge nozzles which are only opened for gauging or sampling. They can for instance be used in combination with PROTEGO® manual gauge devices, type H/P, or with the gauging and sampling devices, type VP/HK. Special designs with nozzles suitable for welding to the tank are also available.

The gauge hatches PF/K and PF/TK mainly consist of housing (1), cover (2) and bracket (3). The hinge bolt (4) connects the cover (2) with the bracket (3). Sealing between housing (1) and cover (2) is achieved through the gasket (5). As a standard the housing has stainless steel gauge marks (7).

In the pedal-operated version PF/TK the gauging nozzle pedal (6) is connected to both the housing (1) and the bracket (3). The cover (2) opens up to 80° and closes automatically.

As an option the version PF/K can be delivered with automatic cover closing.

When using non flame transmission proof gauge hatches PF/K and PF/TK, it is necessary to take specific safety precautions during the gauging and sampling of flammable or contaminated liquids in order to prevent external sources of ignition from flashing into the tank and gases from escaping.

For gauging or sampling open the cover of the gauge hatch. Covers that close automatically have to be kept open during the gauging and sampling procedure. After finishing the gauging and sampling close and lock the gauge hatch properly so that the tank is completely gas-tight.

Gauge hatches should not be opened during tank filling due to evaporation and emission. They should be locked and protected against unintended opening.

## Design Types and Specifications

Depending on the intended use the following designs are available:

- Gauge hatch with flange      **PF/K** not closing automatically
- Gauge hatch with flange      **PF/K** closing automatically
- Gauge hatch with flange      **PF/TK** closing automatically and pedal

Table 1: Dimensions		Dimensions in mm / inches	
DN	100 / 4"	150 / 6"	200 / 8"
a	260 / 10.24	305 / 12.01	330 / 12.99
b	150 / 5.91	155 / 6.10	175 / 6.89
c	160 / 6.30	205 / 8.07	235 / 9.25

The nominal size depends on the dimensions of the gauging and sampling device.

Table 2: Material selection			
Design	A	B	C
Housing	Aluminium	Steel	Stainless Steel
Cover	Aluminium	Steel	Stainless Steel

The combination of steel and aluminium in explosive environments is prohibited due to ignition danger.

## Flange Connection Type

The flange connection is to EN 1092-1, Form A or DIN 2501, Form B, PN 16; DN 200 PN10. Optionally, the connecting flange can be made according to any international standard.

## Necessary Data for Specification

Stored product

Tank material

Tank nozzle DN (mm or inches)

